

MINI WALLWASHER

CF217



FEATURES

- High Illuminance
- Uniform Light Distribution
- Compact Size
- Single Bin
- Excellent Thermal Dissipation
- Protection Against Harsh Environment
- Anti-glare with Louver option
- Wide Range of Beam Angle Options

- PWM Dimming
- Daisy Chain Connection up to 5.4m
- Adjustable Luminaire Angle
- 2 Lengths Available 300, 600mm

APPLICATIONS

- Architectural Lighting
- Façade Lighting
- Directional Lighting
- Wall Washing
- Outdoor Lighting

SPECIFICATIONS

DIMENSION

Size	36 mm (W) x 28 mm (H)	
Unit length	300 mm	600 mm
Storage temperature	-30°C to 80°C	
Operating temperature	-10°C to 50°C	

OPTICAL

Color temperature	2700K / 3000K / 4000K
CRI	>80 / >90
SDCM	<3 / Single Bin
Efficacy ^{*1}	109 lm/W
LED per meter	20
Lifetime LM-80	>60000 hrs

ELECTRICAL

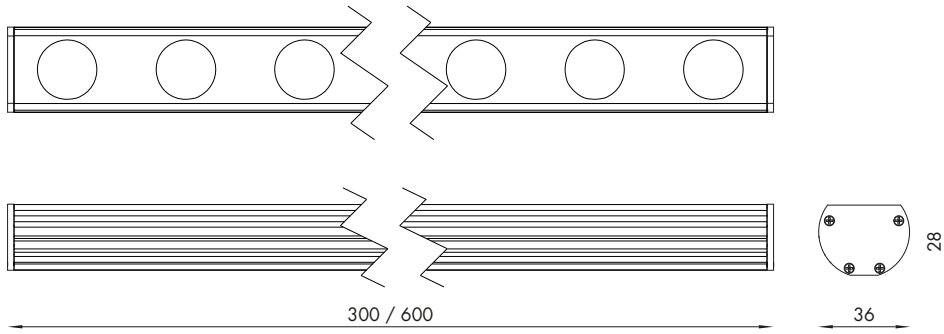
Power input	DC 24-48V
Power consumption	23 W/m
Maximum length per circuit	5.4 m (48V)
Dimming	PWM

CERTIFICATIONS

IP class	IP40 / IP67
Safety standard	EN55015 EN61000-3-2 EN61000-3-3 EN61547 EN62031 EN62471 EN62493 EN62778

^{*1} Typical value based on 3000K, CRI>80, 23W/m

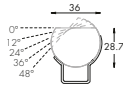
DIMENSION



ACCESSORIES OPTIONS



Mounting Bracket
M00045



FUJI 2 Louver
Black (Gloss)
M00102



MEGUMI 2 Louver
Black (Gloss)
M00213



1m Connection IP67 Cable
E00394



3m Extension IP67 Cable
E00289

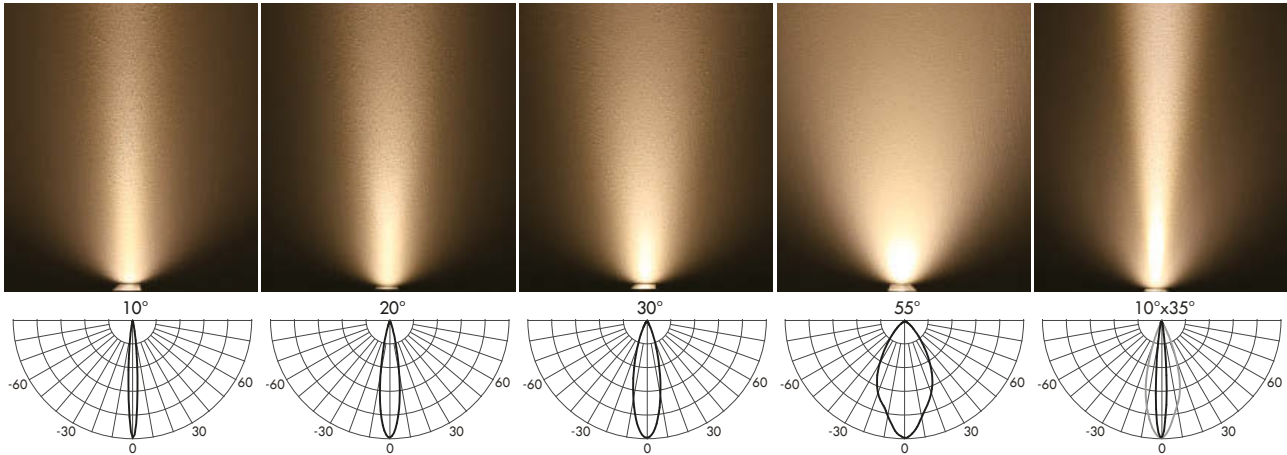


Field IP67 Connector
E00202



Cable
E00391

PHOTOMETRIC



TYPICAL LUMEN VALUES

(PER METER, 23W)

	10°	20°	30°	55°	10°x35°
2700K	2250	2330	2330	2200	2000
3000K	2400	2500	2500	2400	2150
4000K	2570	2660	2660	2500	2280

ORDER CODE SYSTEM

CF217-8 027 AA-230-BE 0600



1 MODEL NO.
CF217

5 POWER
230 23W/m

2 CRI
8 >80
9 >90

6 FIXTURE COLOURS
B Anodized Black

3 CCT
027 2700K
030 3000K
040 4000K

7 IP RATING
C IP40
E IP67

4 ANGLE
AA 10°x 10°
CC 20°x 20°
EE 30°x 30°
LL 55°x 55°
AF 10°x 35°

8 LENGTH
0300 300mm
0600 600mm

- ¹ Each product comes with 2 Mounting Brackets, a Safety Wire
² This product requires a constant voltage power supply, please contact WAKO for recommended models
³ All data provided are typical values with manufacturing tolerances up to 10%
⁴ For further requirements, please contact WAKO